

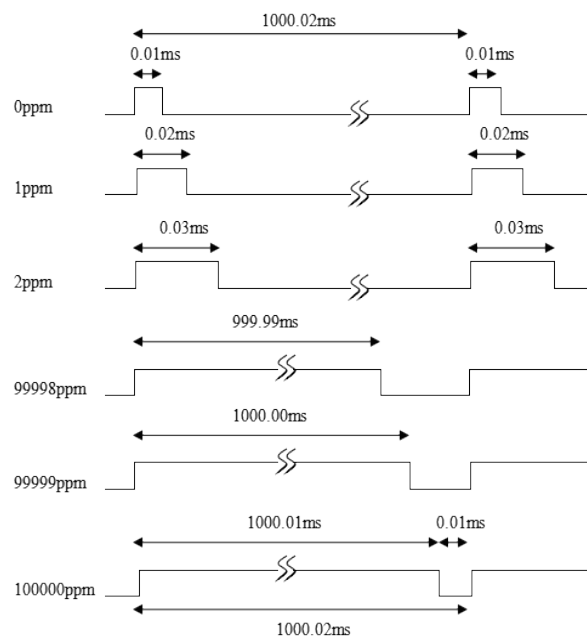
• Technical Data

| Description | Parameter | Unit |
|---------------------|---|---------|
| Detection Range | 10,000 (Can customize a large number of programs) | ppm |
| Detection Accuracy | ±50 ppm ± 5% reading (customizable) | / |
| Response Time (T90) | 90 | seconds |
| Warm-Up Time | Start to work < 90 | seconds |
| | Precision Reached < 120 | seconds |
| Working Voltage | 5 ± 0.5 | V |
| Working Current | Iavg: 60 | mA |

• PWM Output

Cycle: 1,000.02ms ± 5%

$$C_{ppm} = 100,000ppm \times (TH - 0.01ms) / (TH + TL - 0.02ms)$$



• UART Protocol

Baud rate: 38,400 bps, 8 data bits, 1 stop bit, no check bit. The concentration readout and return data are in hexadecimal.

Concentration uploaded automatically in ASCII with the format:

| | | | | | | | | | | | | |
|----|----|---|---|---|---|---|----|---|---|---|----|----|
| 32 | 32 | x | x | x | x | x | 32 | p | p | m | \r | \n |
|----|----|---|---|---|---|---|----|---|---|---|----|----|

For example: output of 12,345 ppm:

| | | | | | | | | | | | | |
|-------|-------|-------|-------|-------|-------|-------|-------|-------|-------|-------|-------|-------|
| | | 1 | 2 | 3 | 4 | 5 | | p | p | m | \r | \n |
| 0x20, | 0x20, | 0x31, | 0x32, | 0x33, | 0x34, | 0x35, | 0x20, | 0x70, | 0x70, | 0x6d, | 0x0d, | 0x0a, |